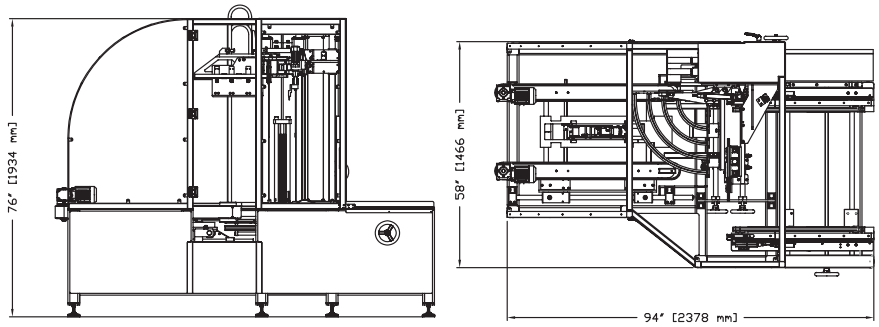


NCE-25

High speed
case erector
with bottom
sealer



Output	25 cases / min	
Carton size range	min.	max.
L ength	6" (150 mm)	20" (500 mm)
W idth	4.5" (120 mm)	16" (405 mm)
D epth	4" (100 mm)	16" (405 mm)

